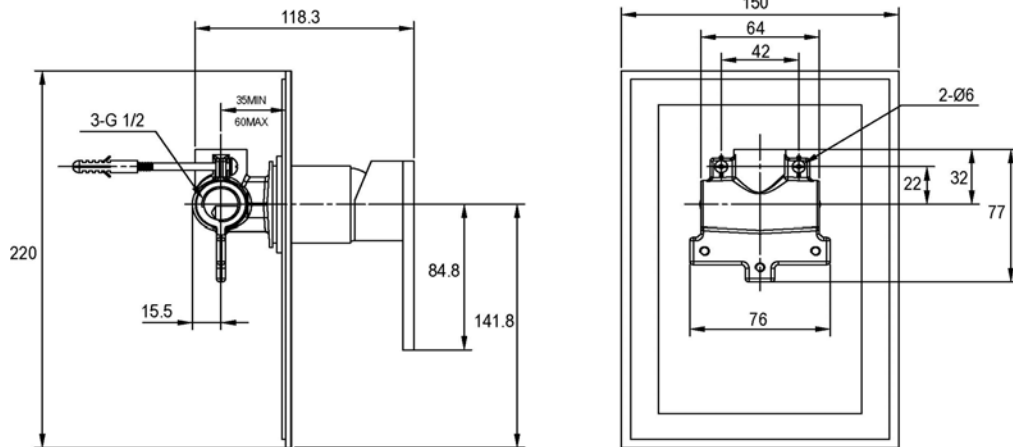


**SANITARY FIXTURE AND FITTINGS SCHEDULE**

**RIGEL JT006370**



<b>BRAND</b>	<b>RIGEL</b>
<b>MODEL</b>	<b>JT006370</b>
<b>DESCRIPTION</b>	<b>Concealed Shower Mixer</b>
<b>DIMENSION</b>	<b>Refer above drawing</b>



**DISCLAIMER:** While every effort has been made to ensure the accuracy of the products and information detailed in this publication, Rigel does not warrant the accuracy of the information and accepts no liability for technical inaccuracies or typographical errors. Rigel reserves the right to change the specifications of the product and function described here in at any time without prior notice.